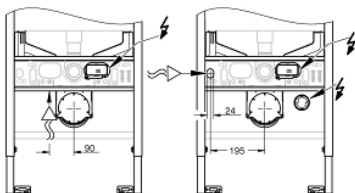
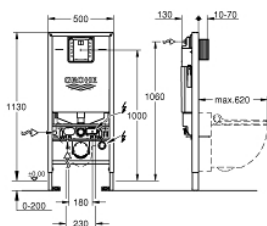


39 597 000 RAPID SLX ELEMENT FOR WC, 1.13 M INSTALLATION HEIGHT WITH INTEGRATED SOCKET AND SHOWER TOILET CONNECTION



PRODUCT DESCRIPTION (1/2)

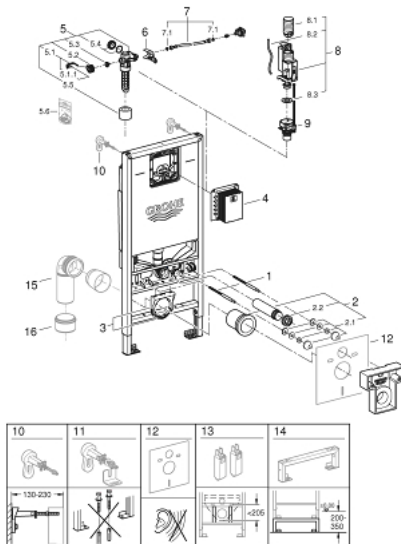
- flushing cistern GDX, 6 l
- with integrated socket for shower toilets (power)
- ready for shower toilets (water)
- small revision shaft for small flush plates
- for on-the-wall installations or studded walls
- powder coated steel frame, self-supporting
- for dry-cladding, completely pre-assembled
- without outlet pipe
- with fixed connections
- quick adjustment, lockable
- fixing material
- TÜV approved
- 2 WC fixing bolts
- fixing device for ceramic
- distance of fixing bolts 180/230 mm
- depth adjustable
- reducer Ø 90/110 mm
- inlet and outlet connecting set
- flushing cistern GDX, 6 l, containing following features:
 - adjustment ex factory 6 l and 3 l
 - pneumatic discharge valve offering 3 modes of operation: dual flush or start/stop or single flush
- water supply from right, back or top
- low noise (group I acc. to German Noise Specification)
- fully insulated against condensation
- ½" water supply connection including integrated angle valve and push fit flexible hose union
- no tools required for the installation of the inspection shaft incl. protection during construction phase
- for vertical use
- including flow manager
- reduces flow of the flush
- prevents overspill in rimless toilets

39 597 000 **RAPID SLX ELEMENT FOR WC, 1.13 M INSTALLATION HEIGHT WITH INTEGRATED SOCKET AND SHOWER TOILET CONNECTION**

PRODUCT DESCRIPTION (2/2)

- easy flow regulation via inspection shaft without removing the valves
- for on-the-wall installation wall brackets 38 558 00M need to be ordered separately
- for flush plates 156 x 197 mm revision shaft 66 791 000 needs to be ordered separately

39 597 000 RAPID SLX ELEMENT FOR WC, 1.13 M INSTALLATION HEIGHT WITH INTEGRATED SOCKET AND SHOWER TOILET CONNECTION



SPARE PARTS

- 1: Threaded bolt (Spare part-nr. 4276400M)
 - 2: WC inlet and outlet connecting set (Spare part-nr. 37311K00)
 - 2.1: Basin fastening (Spare part-nr. 43511SH0)
 - 2.2: Connector (Spare part-nr. 37119000)
 - 3: Support for outlet bend (Spare part-nr. 42243000)
 - 4: Revision shaft for small flush plates (Spare part-nr. 40911000)
 - 5: Filling valve (Spare part-nr. 42583000)
 - 5.1: Lever (Spare part-nr. 43734000)
 - 5.1.1: Seal (Spare part-nr. 4377000M)
 - 5.2: Valve head (Spare part-nr. 43536000)
 - 5.3: Membrane (Spare part-nr. 4375800M)
 - 5.4: Screw cap (Spare part-nr. 43735000)
 - 5.5: Valve FLOAT, 5 pcs.. (Spare part-nr. 4379100M)
 - 5.6: Set of seals (Spare part-nr. 43722000)*
 - 6: Support device (Spare part-nr. 42246000)
 - 7: Tube (Spare part-nr. 42233000)
 - 7.1: Sealing washer (Spare part-nr. 0319100M)
 - 8: Dual Flush discharge valve AV1 (Spare part-nr. 42320000)
 - 8.1: Extension for overflow pipe (Spare part-nr. 42313000)
 - 8.2: Pneumatic hose (Spare part-nr. 42319000)
 - 8.3: Seal (Spare part-nr. 42310000)
 - 9: Valve seat (Spare part-nr. 42593000)
 - 10: Wall brackets
 - (Spare part-nr. 38558000)*
 - 11: Xtra wall brackets, flexible placing (Spare part-nr. 38733000)*
 - 12: Set for noise protection (Spare part-nr. 37131000)*
 - 13: special support (Spare part-nr. 39607000)*
 - 14: Extension (Spare part-nr. 38629000)*
 - 15: PP-outlet bend Ø 90 mm (Spare part-nr. 42327000)*
 - 16: 4" Outlet Adaptor for Rapid SL (Spare part-nr. 42242000)*
- * Optional accessories