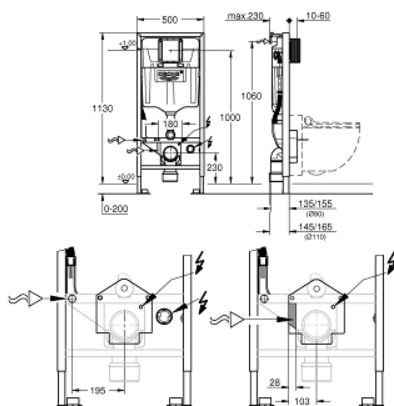


39 112 001 RAPID SL ELEMENT FOR GROHE SENSIA ARENA, 1.13 M INSTALLATION HEIGHT



PRODUCT DESCRIPTION (1/2)

- with flushing cistern GD 2
- with connections for Grohe Sensia Arena
- for on-the-wall installations or studded walls
- powder coated steel frame, self-supporting
- for dry-cladding, completely pre-assembled
- with fixed connections
- quick adjustment, lockable
- fixing material
- TÜV approved
- 2 WC fixing bolts
- fixing device for ceramic
- distance of fixing bolts 180/230 mm
- PP outlet bend Ø 90 mm
- depth adjustable
- reducer Ø 90/110 mm
- inlet and outlet connecting set
- flushing cistern GD 2, containing following features:
 - adjustment ex factory 6 l and 3 l
 - pneumatic discharge valve offering 3 modes of operation: dual flush or start/stop or single flush
 - water supply from back
 - low noise (group I acc. to German Noise Specification)
 - insulated against condensation
 - ½" water supply connection including integrated angle valve and push fit flexible hose union
 - no tools required for the installation of the inspection shaft incl. protection during construction phase
 - for vertical or horizontal use
 - including wall brackets 38 558 00M for on-the-wall installation
 - universal water connection
 - concealed socket for mains supply
 - positioning help for electrical connection



Pure Freude
an Wasser

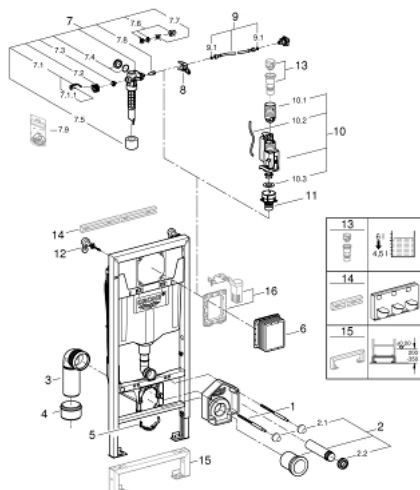


39 112 001 **RAPID SL ELEMENT FOR GROHE SENSIA ARENA, 1.13 M INSTALLATION HEIGHT**

PRODUCT DESCRIPTION (2/2)

- for mounting of small flush plates revision shaft 40 911 000 needs to be ordered separately

39 112 001 RAPID SL ELEMENT FOR GROHE SENSA ARENA, 1.13 M INSTALLATION HEIGHT



SPARE PARTS

- 1: Threaded bolt (Spare part-nr. 4276400M)
- 2: WC inlet and outlet connecting set (Spare part-nr. 37311K00)
- 2.1: Basin fastening (Spare part-nr. 43511SH0)
- 2.2: Connector (Spare part-nr. 37119000)
- 3: PP-outlet bend Ø 90 mm (Spare part-nr. 42327000)
- 4: 4" Outlet Adaptor for Rapid SL (Spare part-nr. 42242000)
- 5: Support for outlet bend (Spare part-nr. 42243000)
- 6: Revision shaft

(Spare part-nr. 66791000)
- 7: Filling valve (Spare part-nr. 37095000)
- 7.1: Lever (Spare part-nr. 43734000)
- 7.1.1: Seal (Spare part-nr. 4377000M)
- 7.2: Valve head (Spare part-nr. 43536000)
- 7.3: Membrane (Spare part-nr. 4375800M)
- 7.4: Screw cap (Spare part-nr. 43735000)
- 7.5: Valve FLOAT, 5 pcs.. (Spare part-nr. 4379100M)
- 7.6: Set of seals (Spare part-nr. 43722000)*
- 8: Support device (Spare part-nr. 42246000)
- 9: Tube (Spare part-nr. 42233000)
- 9.1: Sealing washer (Spare part-nr. 0319100M)
- 10: Dual Flush discharge valve AV1 (Spare part-nr. 42320000)
- 10.1: Extension for overflow pipe (Spare part-nr. 42313000)
- 10.2: Pneumatic hose (Spare part-nr. 42319000)
- 10.3: Seal (Spare part-nr. 42310000)
- 11: Valve seat for GD2 (Spare part-nr. 42315000)
- 12: Wall brackets

(Spare part-nr. 3855800M)
- 13: 4.5 l adapter for GD2 (Spare part-nr. 42333000)*
- 14: Installation rail (Spare part-nr. 37310000)*
- 15: Extension (Spare part-nr. 38629000)*
- 16: Adaptor (Spare part-nr. 38796000)*

* Optional accessories