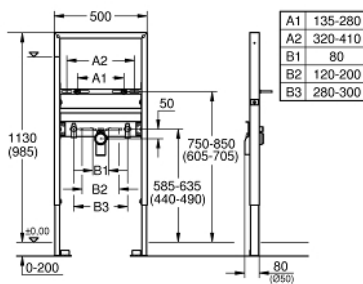


39 052 000 RAPID SL ELEMENT FOR WASH BASIN, SINGLE HOLE INSTALLATION, HEIGHT ADJUSTABLE

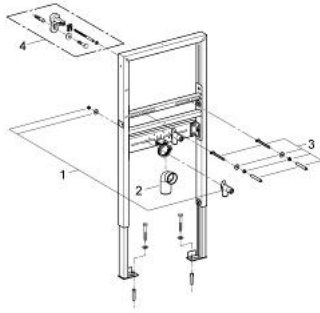


PRODUCT DESCRIPTION

- with noise protection
- 1.13 m installation height
- for on-the-wall installations or studded walls
- powder coated steel frame, self-supporting
- for dry-cladding, completely pre-assembled
- with fixed connections
- quick adjustment, lockable
- fixing material
- TÜV approved
- fixing and connecting traverse, height adjustable
- wash basin fixing bolts M10 with fixing device for ceramic
- variable distance of fixing bolts
- HT-outlet bend Ø 50 mm
- seal Ø 32 mm
- 2 noise protected fitting connections ½"
- for on-the-wall installation wall brackets 38 558 00M need to be ordered separately



39 052 000 **RAPID SL ELEMENT FOR WASH BASIN, SINGLE HOLE INSTALLATION, HEIGHT ADJUSTABLE**



SPARE PARTS

1: Fitting connection (Spare part-nr. 42944000)

2: Elbow 2" (Spare part-nr. 42943000)

3: Threaded bolt (Spare part-nr. 42247000)

4: Wall brackets

(Spare part-nr. 3855800M)*

* Optional accessories