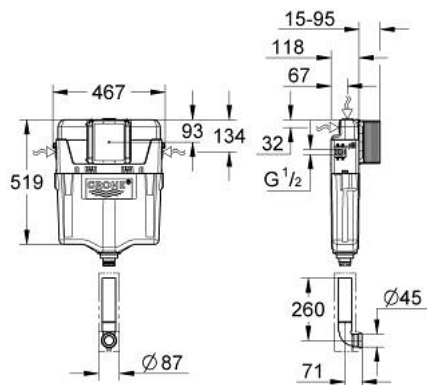


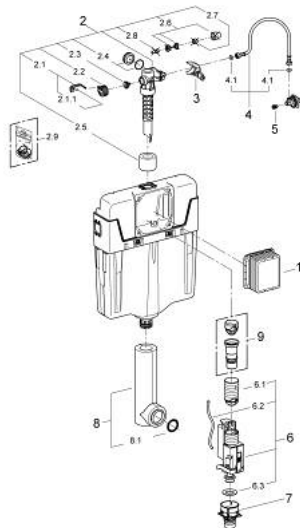
## 38 661 000 FLUSHING CISTERN GD 2



### PRODUCT DESCRIPTION

- Colour: chrome
- 6 - 9 l adjustable
- adjustment ex factory 6 l and 3 l
- pneumatic discharge valve offering 3 modes of operation: dual flush or start/stop or single flush
- water supply from left/right/back or top
- low noise (group I acc. to German Noise Specification)
- insulated against condensation
- ½" water supply connection including integrated angle valve and push fit flexible hose union
- no tools required for the installation of the inspection shaft incl. protection during construction phase
- for vertical or horizontal use
- flush pipe insulated against condensation
- fixing brackets
- without wall plate/actuation
- GROHE EcoJoy - less water, perfect flow
- for mounting of small flush plates revision shaft 40 911 000 needs to be ordered separately

## 38 661 000 FLUSHING CISTERN GD 2



### SPARE PARTS

1: Revision shaft

(Spare part-nr. 66783000)

2: Filling valve (Spare part-nr. 37095000)

2.1: Lever (Spare part-nr. 43734000)

2.1.1: Seal (Spare part-nr. 4377000M)

2.2: Valve head (Spare part-nr. 43536000)

2.3: Membrane (Spare part-nr. 4375800M)

2.4: Screw cap (Spare part-nr. 43735000)

2.5: Valve FLOAT, 5 pcs.. (Spare part-nr. 4379100M)

2.6: Set of seals (Spare part-nr. 43722000)\*

3: Support device (Spare part-nr. 42246000)

4: Tube (Spare part-nr. 42233000)

4.1: Sealing washer (Spare part-nr. 0319100M)

5: Headpart (Spare part-nr. 42385000)

6: Dual Flush discharge valve AV1 (Spare part-nr. 42320000)

6.1: Extension for overflow pipe (Spare part-nr. 42313000)

6.2: Pneumatic hose (Spare part-nr. 42319000)

6.3: Seal (Spare part-nr. 42310000)

7: Valve seat for GD2 (Spare part-nr. 42315000)

8: Flush pipe, concealed (Spare part-nr. 43908000)

8.1: Sealing washer (Spare part-nr. 4388000M)

9: 4.5 l adapter for GD2 (Spare part-nr. 42333000)\*

\* Optional accessories