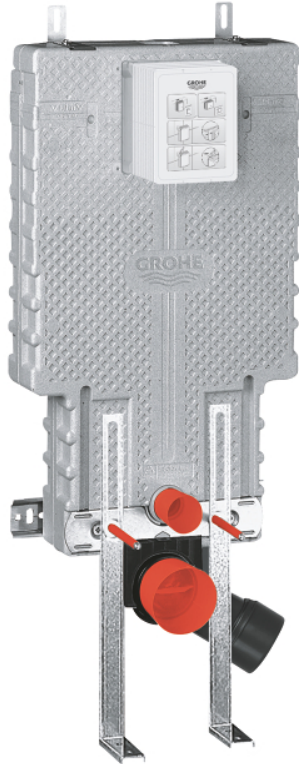
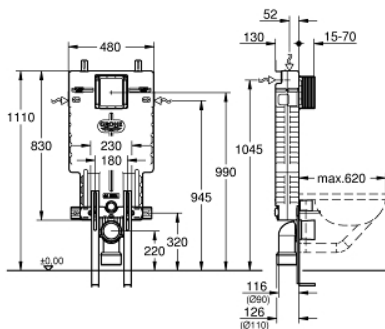


38 642 00D UNISET ELEMENT FOR WC WITH EPS HOUSING AND SUPPORT FEET



PRODUCT DESCRIPTION (1/2)

- with flushing cistern GD 2
- sound-insulating EPS module for masonry-in
- 830 x 470 x 130 mm
- rail adaptors for modular fixing
- wall rail with fixing accessories for single installation
- 2 WC fixing bolts
- distance of fixing bolts 180/230 mm
- fixing device for ceramic
- outlet bend Ø 90 mm
- depth adjustable
- reducer Ø 90/110 mm
- flushing cistern GD 2, containing following features:
 - inlet and outlet connecting set
 - adjustment ex factory 6 l and 3 l
 - pneumatic discharge valve offering 3 modes of operation: dual flush or start/stop or single flush
 - water supply from left/right/back or top
 - low noise (group I acc. to German Noise Specification)
 - insulated against condensation
 - ½" water supply connection including integrated angle valve and push fit flexible hose union
 - no tools required for the installation of the inspection shaft incl. protection during construction phase
 - including adapter to reduce the maximum flush volume to 4.5 l
- preparation for shower toilets with additional accessory 40 899 000



Pure Freude
an Wasser

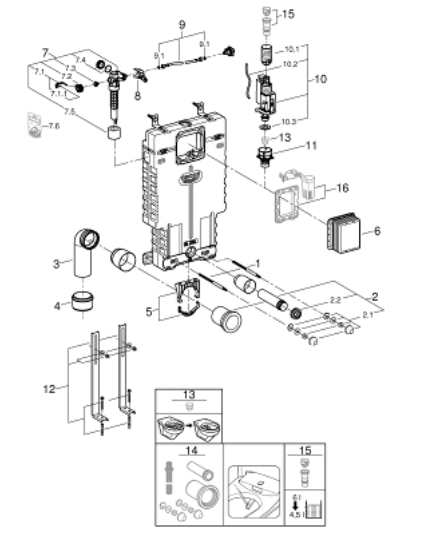


38 642 00D **UNISET ELEMENT FOR WC WITH EPS HOUSING AND SUPPORT FEET**

PRODUCT DESCRIPTION (2/2)

- for mounting of small flush plates revision shaft 40 911 000 needs to be ordered separately

38 642 00D UNISET ELEMENT FOR WC WITH EPS HOUSING AND SUPPORT FEET



SPARE PARTS

- 1: Threaded bolt (Spare part-nr. 4276400M)
- 2: WC inlet and outlet connecting set (Spare part-nr. 37311K00)
- 2.1: Basin fastening (Spare part-nr. 43511SH0)
- 2.2: Connector (Spare part-nr. 37119000)
- 3: PP-outlet bend Ø 90 mm (Spare part-nr. 42327000)
- 4: 4" Outlet Adaptor for Rapid SL (Spare part-nr. 42242000)
- 5: Support for outlet bend (Spare part-nr. 42243000)
- 6: Revision shaft

(Spare part-nr. 66783000)
- 7: Filling valve (Spare part-nr. 37095000)
- 7.1: Lever (Spare part-nr. 43734000)
- 7.1.1: Seal (Spare part-nr. 4377000M)
- 7.2: Valve head (Spare part-nr. 43536000)
- 7.3: Membrane (Spare part-nr. 4375800M)
- 7.4: Screw cap (Spare part-nr. 43735000)
- 7.5: Valve FLOAT, 5 pcs.. (Spare part-nr. 4379100M)
- 7.6: Set of seals (Spare part-nr. 43722000)*
- 8: Support device (Spare part-nr. 42246000)
- 9: Tube (Spare part-nr. 42233000)
- 9.1: Sealing washer (Spare part-nr. 0319100M)
- 10: Dual Flush discharge valve AV1 (Spare part-nr. 42320000)
- 10.1: Extension for overflow pipe (Spare part-nr. 42313000)
- 10.2: Pneumatic hose (Spare part-nr. 42319000)
- 10.3: Seal (Spare part-nr. 42310000)
- 11: Valve seat (Spare part-nr. 42599000)
- 12: Support feet (Spare part-nr. 37304000)
- 13: Water connection (Spare part-nr. 48561000)
- 14: Flow restrictor (Spare part-nr. 42300000)*
- 15: Retrofit kit for shower toilets Sensia Arena and Sensia Pro (Spare part-nr. 40899000)*
- 16: 4.5 l adapter for GD2 (Spare part-nr. 42333000)*
- 17: Adaptor (Spare part-nr. 38796000)*

* Optional accessories