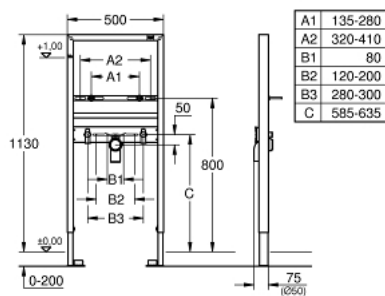


## 38 554 001 RAPID SL ELEMENT FOR WASH BASIN, SINGLE HOLE INSTALLATION

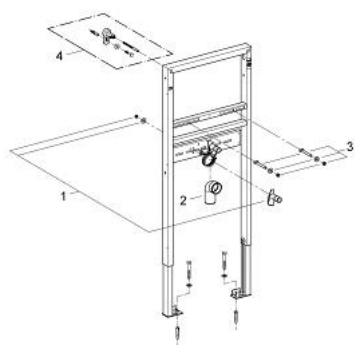


### PRODUCT DESCRIPTION

- with noise protection
  - 1.13 m installation height
  - for on-the-wall installations or studded walls
  - powder coated steel frame, self-supporting
  - for dry-cladding, completely pre-assembled
  - with fixed connections
  - quick adjustment, lockable
  - fixing material
  - TÜV approved
- 
- wash basin fixing bolts M10 with fixing device for ceramic
- 
- variable distance of fixing bolts
  - HT-outlet bend Ø 50 mm
  - seal Ø 32 mm
  - 2 noise protected fitting connections ½"
- 
- for on-the-wall installation wall brackets 38 558 00M need to be ordered separately



## 38 554 001 **RAPID SL ELEMENT FOR WASH BASIN, SINGLE HOLE INSTALLATION**



### **SPARE PARTS**

- 1: Fitting connection (Spare part-nr. 42944000)
- 2: Elbow 2" (Spare part-nr. 42943000)
- 2.1: Holder for outlet elbow (Spare part-nr. 42236000)
- 3: Threaded bolt (Spare part-nr. 42247000)
- 4: Wall brackets

(Spare part-nr. 3855800M)\*

\* Optional accessories