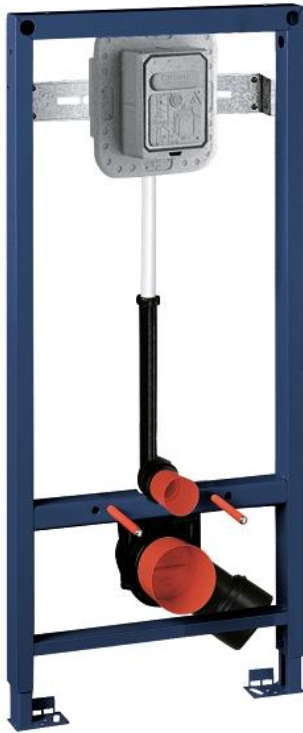
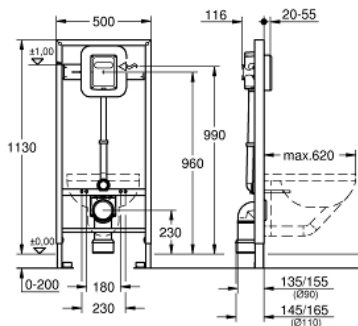


## 38 519 001 RAPID SL ELEMENT FOR WC WITH FLUSH VALVE, 1.13 M INSTALLATION HEIGHT



### PRODUCT DESCRIPTION (1/2)

- Colour: chrome
- with flush valve 6 - 9 l
- for manual/electronic actuation
- for on-the-wall installations or studded walls
- steel frame with foil coating/hot galvanized, self-supporting
- for dry-cladding, completely pre-assembled
- quick adjustment, lockable
- fixing material
- TÜV approved
- 2 WC fixing bolts
- distance of fixing bolts 180/230 mm
- WC ceramics with small bearing area (<math>\leq 205\text{ mm}</math>) require 38 779 000
- PP outlet bend  $\varnothing 90\text{ mm}$
- depth adjustable
- PP reducer  $\varnothing 90/110\text{ mm}$
- inlet and outlet connecting set
- manual/electronic actuation
- adjustable
- low noise (group I acc. to German Noise Specification)
- ( $\frac{3}{4}$ "
- stop valve
- 6 - 9 l adjustable
- flush bend
- flow rate adjustment



Pure Freude  
an Wasser

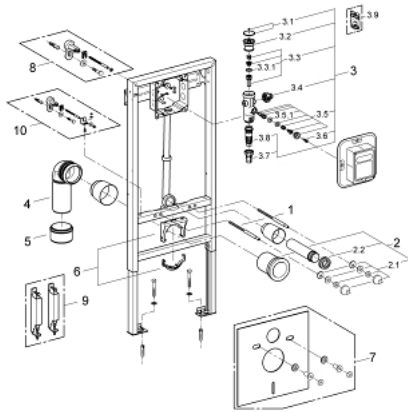


## 38 519 001 **RAPID SL ELEMENT FOR WC WITH FLUSH VALVE, 1.13 M INSTALLATION HEIGHT**

### **PRODUCT DESCRIPTION** (2/2)

- for on-the-wall installation wall brackets 38 558 00M need to be ordered separately

## 38 519 001 RAPID SL ELEMENT FOR WC WITH FLUSH VALVE, 1.13 M INSTALLATION HEIGHT



### SPARE PARTS

- 1: Threaded bolt (Spare part-nr. 4276400M)
- 2: WC inlet and outlet connecting set (Spare part-nr. 37311K00)
- 2.1: Basin fastening (Spare part-nr. 43511SH0)
- 2.2: Connector (Spare part-nr. 37119000)
- 3: Flush valve for WC (Spare part-nr. 37153000)
- 3.1: Hand wheel (Spare part-nr. 43043000)
- 3.2: Cover (Spare part-nr. 43122000)
- 3.3: Piston (Spare part-nr. 43451000)
- 3.3.1: Sleeve (Spare part-nr. 4376900M)
- 3.4: Supply stop (Spare part-nr. 43405000)
- 3.5: Safety valve (Spare part-nr. 43422000)
- 3.5.1: Membrane (Spare part-nr. 4377300M)
- 3.6: Operating rod (Spare part-nr. 43067000)
- 3.7: Discharge Sleeve (Spare part-nr. 43326000)
- 3.8: Throttle nozzle (Spare part-nr. 43407000)
- 3.9: Set of seals (Spare part-nr. 43012000)\*
- 4: PP-outlet bend Ø 90 mm (Spare part-nr. 42327000)
- 5: 4" Outlet Adaptor for Rapid SL (Spare part-nr. 42242000)
- 6: Support for outlet bend (Spare part-nr. 42243000)
- 7: Set for noise protection (Spare part-nr. 37131000)\*
- 8: Wall brackets
- (Spare part-nr. 3855800M)\*
- 9: special support (Spare part-nr. 38779000)\*
- 10: Xtra wall brackets, flexible placing (Spare part-nr. 38733000)\*

\* Optional accessories