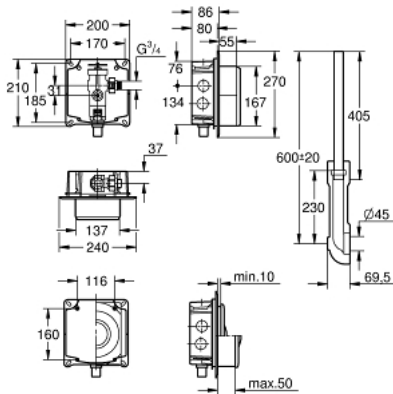


37 157 000 FLUSH VALVE FOR WC

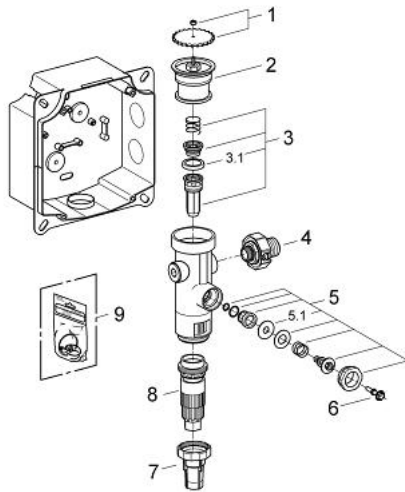


PRODUCT DESCRIPTION

- concealed installation with 37048000
- (3/4")
- stop valve
- 6 - 14 l adjustable
- for low pressure
- for wash-down and wash-out bowls
- flow pressure range from 0.6 - 3.0 bar (min. static pressure 1.5 bar)
- with flow rate adjustment
- box for concealed installation with flush elbow
- flush pipe adjustable in length
- without wall plate/actuation
- volume needed: 1.6 l/sec



37 157 000 FLUSH VALVE FOR WC



SPARE PARTS

- 1: Hand wheel (Spare part-nr. 43043000)
 - 2: Cover (Spare part-nr. 43122000)
 - 3: Piston (Spare part-nr. 43451000)
 - 3.1: Sleeve (Spare part-nr. 4376900M)
 - 4: Supply stop (Spare part-nr. 43405000)
 - 5: Safety valve (Spare part-nr. 43422000)
 - 5.1: Membrane (Spare part-nr. 4377300M)
 - 6: Operating rod (Spare part-nr. 43067000)
 - 7: Discharge Sleeve (Spare part-nr. 43326000)
 - 8: Throttle nozzle (Spare part-nr. 43408000)
 - 9: Set of seals (Spare part-nr. 43012000)*
- * Optional accessories