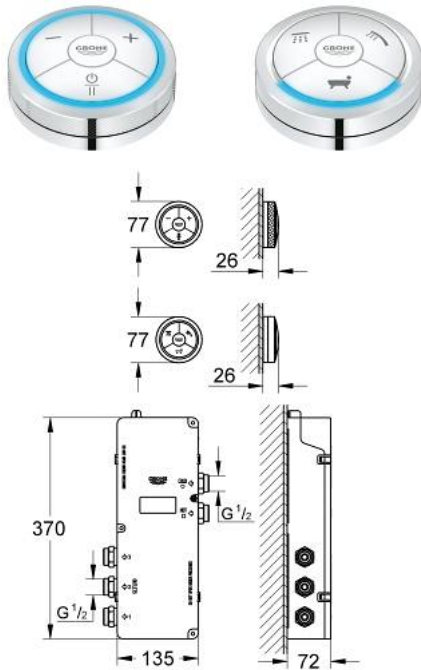


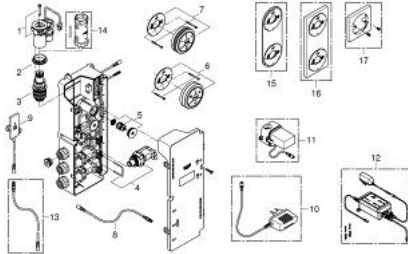
36 289 000 F-DIGITAL DIGITAL CONTROLLER AND DIGITAL DIVERTER FOR BATH



PRODUCT DESCRIPTION

- Colour: chrome
- including digital thermostat unit
- Digital Controller - intuitive multifunctional operating unit
- - Wireless technology
- - Temperature and flow control
- (temperature adjustable up to max. 46° C)
- - Pause-function
- - Memory function
- - LED ring incl. warming-up function: visual feedback when preferred temperature is reached
- digital diverter for bath
- - Diverter: head-, hand shower and bath spout
- - LED ring (indication of outlet)
- digital thermostat unit (concealed body)
- - warm/cold-supplies 1/2"
- - 3 outlets 1/2" bath diverter
- default setting configurable during installation:
- - automatic safety shut-off after 20 min
- GROHE SafeStop at 38°C
- transceiver unit for Digital Controller and Digital thermostat unit incl. cable 3 m
- GROHE TurboStat digital controlled compact cartridge with wax thermoelement
- GROHE LongLife finish
- GROHE EcoJoy - less water, perfect flow
- requires:
- built-in power supply 36 078 000 or plug power supply 65 790 000
- minimum pressure 1.0 bar
- energy efficiency class illumination of control unit: not applicable

36 289 000 F-DIGITAL DIGITAL CONTROLLER AND DIGITAL DIVERTER FOR BATH



SPARE PARTS

- 1: MOTOR (Spare part-nr. 42337000)
 - 2: Fitting ring (Spare part-nr. 47765000)
 - 3: Thermostatic compact cartridge 3/4* (Spare part-nr. 47881000)
 - 4: Solenoid valve (Spare part-nr. 42340000)
 - 5: Non-return valve (Spare part-nr. 47753000)
 - 6: Remote control (Spare part-nr. 48114000)
 - 7: Digital controller
Remote controller for bath or shower (Spare part-nr. 36309000)
 - 8: Connection wire (Spare part-nr. 47727000)
 - 9: Transceiver (Spare part-nr. 36356000)
 - 10: Plug power supply 230 V (Spare part-nr. 65790000)*
 - 11: Plug power supply 110-240 V (Spare part-nr. 36078000)*
 - 12: Non-interruptible power supply (Spare part-nr. 36394000)*
 - 13: Connection wire (Spare part-nr. 65815000)*
 - 14: Socket Spanner (Spare part-nr. 19332000)*
 - 15: Holder plate for Digital Controller &
Digital Diverter (Spare part-nr. 40479000)*
 - 16: Holder plate for Digital Controller &
Digital Diverter (Spare part-nr. 40548000)*
 - 17: Holder plate for Digital Controller (Spare part-nr. 40710000)*
- * Optional accessories