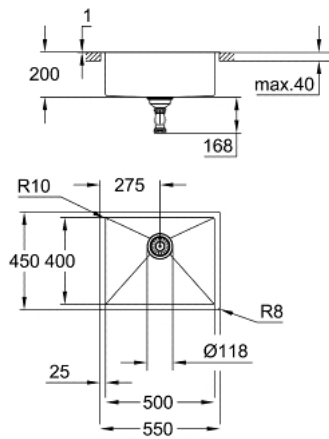


31 726 SD0 K700 STAINLESS STEEL SINK



PRODUCT DESCRIPTION

- Colour: stainless steel
- model: K700 60-S 55/45 1.0
- mounting type: undermount, top mount or flush mount
- material: stainless steel AISI 304 (V2A)
- material thickness: 1 mm
- GROHE LongLife finish
- finish: satin finish
- GROHE Whisper
- min. cabinet size: 600 mm
- dimensions: 550 x 450 mm
- 1 bowl: 500 x 400 x 200 mm
- outer radius: R11 (undermount)/R3 (topmount), inner bowl radius: R10
- GROHE FastFixation installation system
- cut-out (undermount): 502 x 402 mm (R11)
- cut-out (top mount): 535 x 435 mm
- cut-out (flush mount): 535 x 435 mm (R3) (top step outer size: -551 x 451 -R8 deep -3.5 mm)
- drainer: Ø 3.5" basket strainer waste
- accessories included: waste kit, basket strainer waste, mounting set
- optional: push to open excenter (40 986 SD0)
- amount of fasteners included (top mount): 8
- amount of fasteners included (undermount): 8

31 726 SD0 K700 STAINLESS STEEL SINK

SPARE PARTS

- 1: Plug (Spare part-nr. 42589SD1)
- 2: Cover element (Spare part-nr. 42590SD1)
- 3: Siphon (Spare part-nr. 42616000)

