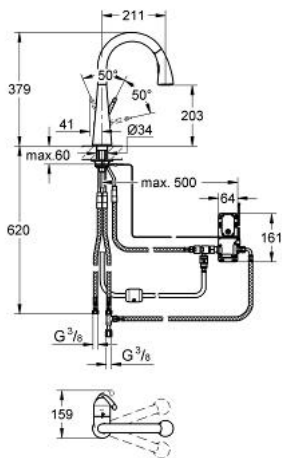


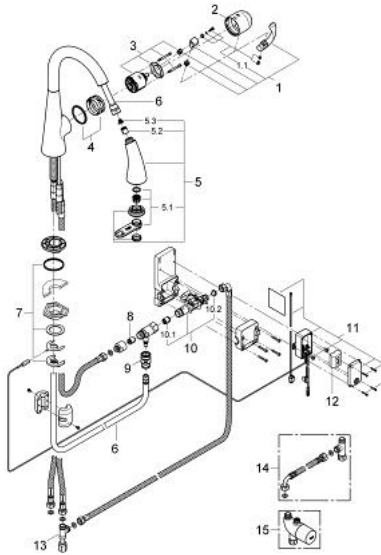
## 30 219 DC0 ZEDRA TOUCH ELECTRONIC SINGLE-LEVER SINK MIXER 1/2"



### PRODUCT DESCRIPTION

- Colour: supersteel
- single hole installation
- Touch: activation of cold water via skin contact
- battery supply 6 V lithium-battery, type CR-P2
- CE approved
- safety shut down circuit (when battery nearly empty)
- indication of battery status through different pulses of water
- solenoid valve
- safety stop after 60 sec.(factory set)
- type of protection IP 44
- GROHE SilkMove 46 mm ceramic cartridge
- GROHE LongLife finish
- GROHE SuperSteel Infinity Finish
- GROHE SpeedClean - effortless limescale removal
- swivel tubular spout, swivel area 360°
- adjustable flow rate limiter
- Pull-Out spray for greater flexibility
- automatic returning
- integrated non-return valve
- Dual Spray - switch between mousseur and SpeedClean shower jet using diverter
- automatic return to mousseur
- flexible connection hoses
- rapid installation system
- protected against backflow
- (optional)
- upgrade for Touch function with mixed water:
- Grohtherm Micro 34 487 000
- connection: 47 533 000
- minimum pressure 1.0 bar

## 30 219 DC0 ZEDRA TOUCH ELECTRONIC SINGLE-LEVER SINK MIXER 1/2"



### SPARE PARTS

- 1: Lever (Spare part-nr. 46654DC0)
  - 1.1: Fixing set (Spare part-nr. 46310000)
  - 2: Cap (Spare part-nr. 46655DC0)
  - 3: Cartridge (Spare part-nr. 46048000)
  - 4: Guide and slide ring (Spare part-nr. 46632V00)
  - 5: Pull-Out spray (Spare part-nr. 46875ND0)
  - 5.1: Mousseur (Spare part-nr. 46711000)
  - 5.2: Non-return valve (Spare part-nr. 08565000)
  - 5.3: Dirt strainer (Spare part-nr. 0676800M)
  - 6: Shower hose (Spare part-nr. 46881000)
  - 7: Shank mounting kit (Spare part-nr. 46345000)
  - 8: Non-return valve (Spare part-nr. 08565000)
  - 9: Quick coupling (Spare part-nr. 46338000)
  - 10: Solenoid valve (Spare part-nr. 48213000)
  - 10.1: Non-return valve (Spare part-nr. 08565000)
  - 10.2: Dirt strainer (Spare part-nr. 42395000)
  - 11: Control unit (Spare part-nr. 48214000)
  - 12: Battery (Spare part-nr. 42886000)
  - 13: T-Connection (Spare part-nr. 41007000)
  - 14: Connection set (Spare part-nr. 47533000)\*
  - 15: Safety Mixer (Spare part-nr. 34487000)\*
- \* Optional accessories