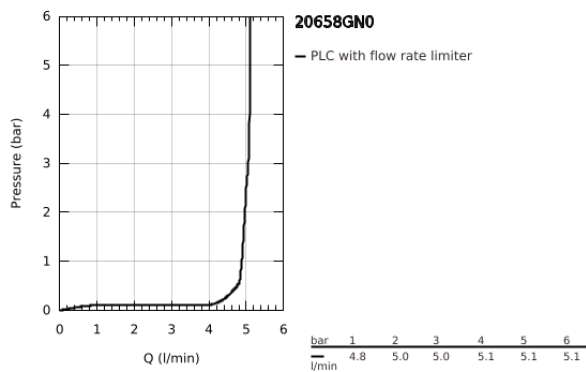
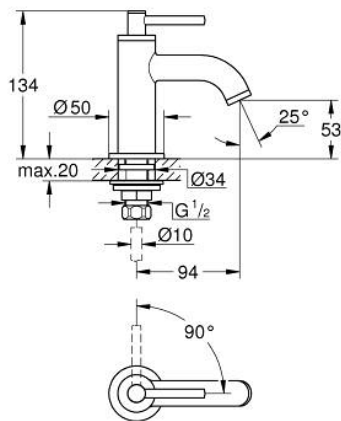


20 658 GN0 ATRIO PILLAR TAP 1/2"



PRODUCT DESCRIPTION

- Colour: brushed cool sunrise
- headpart 1/2" - 90°
- GROHE LongLife finish
- GROHE EcoJoy - less water, perfect flow
- maximum flow rate (at 3 bar): 5 l/min
- rapid installation system
- mousseur
- fixed spout
- with lever handle



20 658 GN0 ATRIO PILLAR TAP 1/2"



SPARE PARTS

- 1: Lever handles (Spare part-nr. 14216GN0)
- 2: Ceramic headpart, 1/2" (Spare part-nr. 45882000)
- 2.1: O-ring $\varnothing 18,2 \times \varnothing 1,7$ (Spare part-nr. 0392400M)
- 3: Shank mounting kit (Spare part-nr. 45004000)
- 4: Flow straightener (Spare part-nr. 48408000)
- 5: Coupling nut 1/2" (Spare part-nr. 1290100M)
- 5.1: Fibre seal dia. $\varnothing 18,5 \times \varnothing 12 \times 2$ (Spare part-nr. 0138900M)
- 6: Coupling nut 1/2" x 14.5 mm (Spare part-nr. 1290200M)*

* Optional accessories